

OUTDOOR
CATALOGUE

GLAMMFIRE COLLECTION



glamm[®]
fire

OUTDOOR
CATALOGUE
GLAMMFIRE COLLECTION

glamm[®]
fire

COSMO 13

COSMO 13



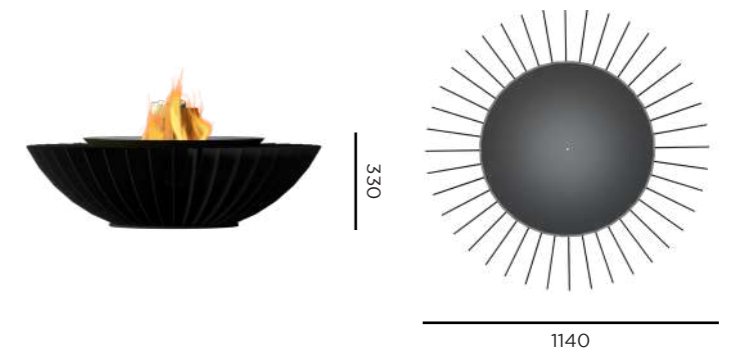
TECHNICAL DATA

Dimensions 1140 Ø x 330 h mm | 44.9 Ø x 13.9" h

Combustion zone 702 Ø mm | 27.6 Ø"

Weight 220 kg | 485 lbs

Combustion Zone Firewood



STRAVAGANZA



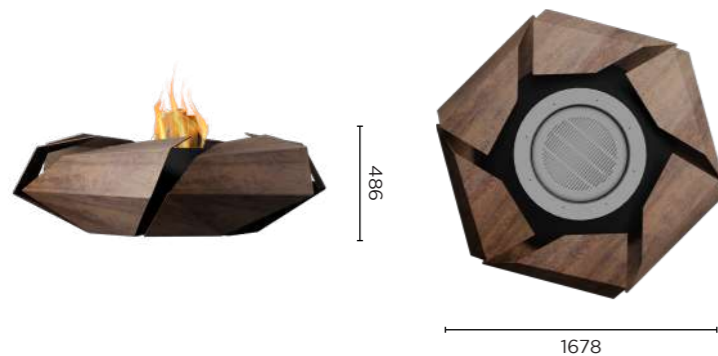
TECHNICAL DATA

Dimensions 1678 Ø x 486 h mm | 66.1 Ø x 19.1" h

Combustion zone 654 Ø mm | 25.7 Ø"

Weight 222 kg | 489.4 lbs

Combustion Zone Firewood | Bioethanol | Gas



ZARZUELA

ZARZUELA



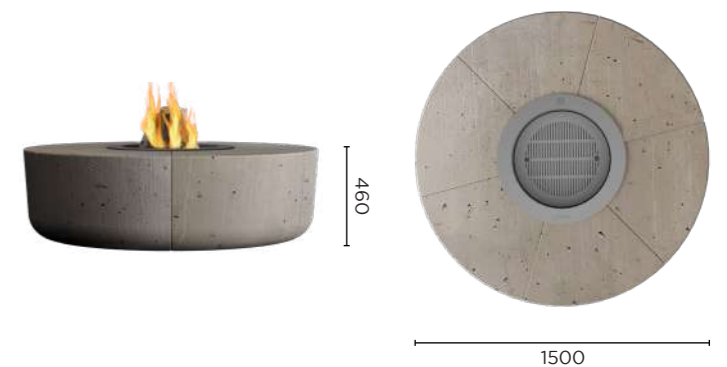
TECHNICAL DATA

Dimensions 1500 Ø x 460 h mm | 59.1 Ø x 18.1" h

Combustion zone 654 Ø mm | 25.7 Ø"

Weight 600 kg | 1322.8 lbs

Combustion Zone Firewood | Bioethanol | Gas





TECHNICAL DATA

Dimensions 1510 Ø x 400 h mm | 59.4 Ø x 15.7" h

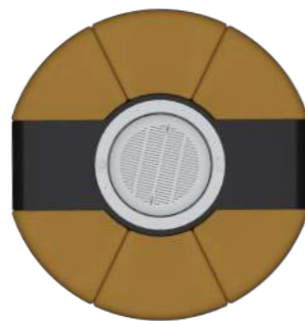
Combustion zone 654 Ø mm | 25.7 Ø"

Weight 150 kg | 330.7 lbs

Combustion Zone Firewood | Bioethanol | Gas



400



1510

VAUDEVILLE

VAUDEVILLE



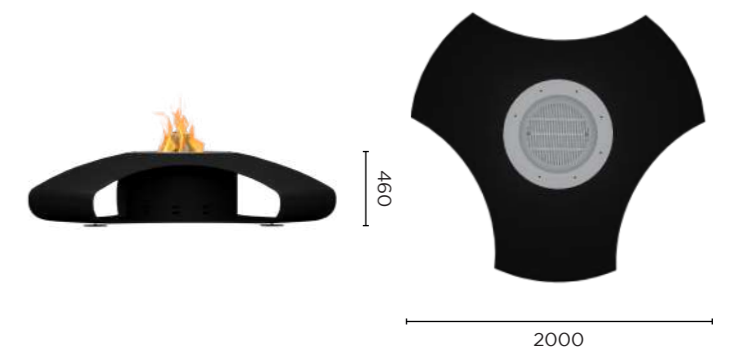
TECHNICAL DATA

Dimensions 2000 Ø x 460 h mm | 78.7 Ø x 18.1" h

Combustion zone 654 Ø mm | 25.7 Ø"

Weight 180 kg | 396 lbs

Combustion Zone Firewood | Bioethanol | Gas



OPERETTA



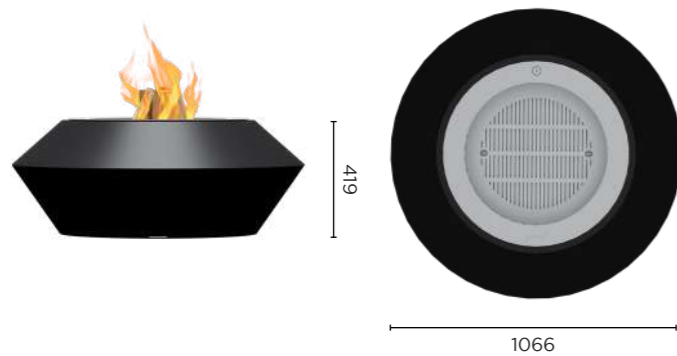
TECHNICAL DATA

Dimensions 1066 Ø x 419 h mm | 42 Ø x 16.5" h

Combustion zone 654 Ø mm | 25.7 Ø"

Weight 52 kg | 114.6 lbs

Combustion Zone Firewood | Bioethanol | Gas



SOLACE

SOLACE

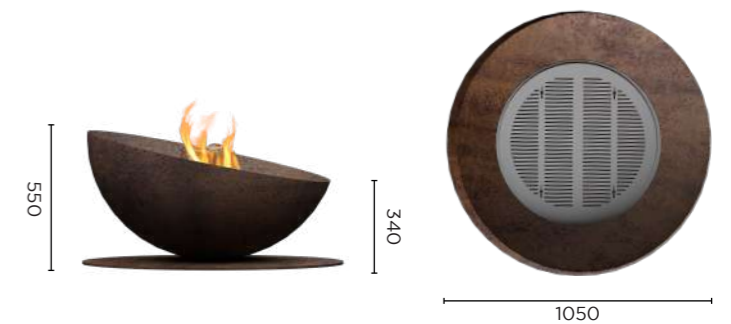


TECHNICAL DATA

Dimensions 1050 Ø x 550 h mm | 41.3 Ø x 21.7" h

Weight 120 kg | 264.6 lbs

Combustion Zone Firewood



**TECHNICAL DATA**

Dimensions 1492 Ø x 308 h mm | 58.7 Ø x 12.1" h

Combustion zone 654 Ø mm | 25.7 Ø"

Weight 210 kg | 463 lbs

Combustion Zone Firewood | Bioethanol | Gas



1492

OTELLO

OTELLO



TECHNICAL DATA

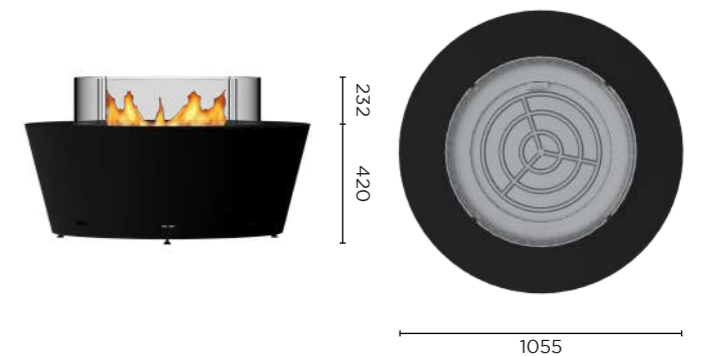
Dimensions 1055 Ø x 420 h mm | 41.5 Ø x 16.5" h

Combustion zone 654 Ø mm | 25.7 Ø"

Weight 120 kg | 264.5 lbs

Combustion Zone Gas Propane | Butane | Natural

Power 5-20 kW





TECHNICAL DATA

Dimensions 1220 Ø x 345 h mm | 48 Ø x 13.6" h

Combustion zone 654 Ø mm | 25.7 Ø"

Weight 169 kg | 372.6 lbs

Combustion Zone Gas Propane | Butane | Natural

Power 5-20 kW



345



1220

TULI

TULI



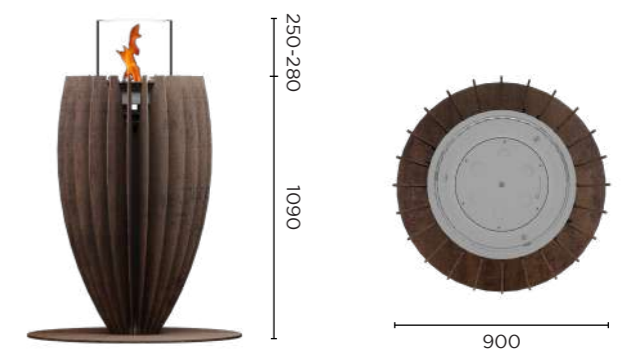
TECHNICAL DATA

Dimensions 900 Ø x 1324-1354 h mm |
35.4 Ø x 52.1-57.6" h

Weight Bioethanol 240 kg | 529.1 lbs

Gas 246 kg | 542.3 lbs

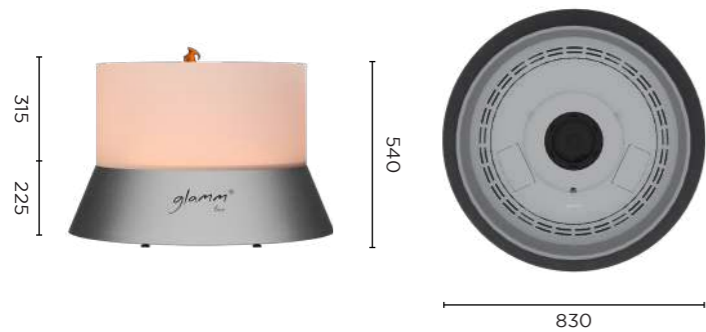
Burner Bioethanol | Gas





TECHNICAL DATA

Dimensions 830 Ø x 540 h mm | 32.7 Ø x 21.3" h
Weight 75 kg | 165.3 lbs
Burner Crea7ionEVOPlus Fire Round
Power 2-4 kW
Autonomy 15-25 hrs



ALBA GAS

ALBA GAS



TECHNICAL DATA

Dimensions Alba Small 760 Ø x 400 h mm | 29.9 Ø x 15.7" h

Alba 830 Ø x 500 h mm | 32.7 Ø x 19.7" h

Weight Alba Small 50 kg | 110.2 lbs

Alba 65 kg | 143.3 lbs

Combustion Zone AISI 316 stainless steel

Power 3,2-14,2 kW

Fuel Propane gas | Butane gas | Natural gas

Alba Small Gas



760

Alba Gas



830

ALBA FIREWOOD



TECHNICAL DATA

Dimensions Alba Small Firewood 760 Ø x 420 h mm | 29.9 Ø x 16.5" h

Alba 830 Ø x 540 h mm | 32.7 Ø x 21.3" h

Weight Alba Small Firewood 45 kg | 99.2 lbs

Alba 60 kg | 132.3 lbs

Burner Burner I | Quartz Glass

Fuel Alba Small Bioethanol | Firewood or charcoal

Alba Firewood or charcoal

Alba Small



760

Alba Firewood



830

THALES FIREWOOD

THALES FIREWOOD



TECHNICAL DATA

Dimensions 1500 Ø x 2500-2700 h mm |

41.3 Ø x 98.4-106.3" h

Weight 280 kg | 617.3 lbs

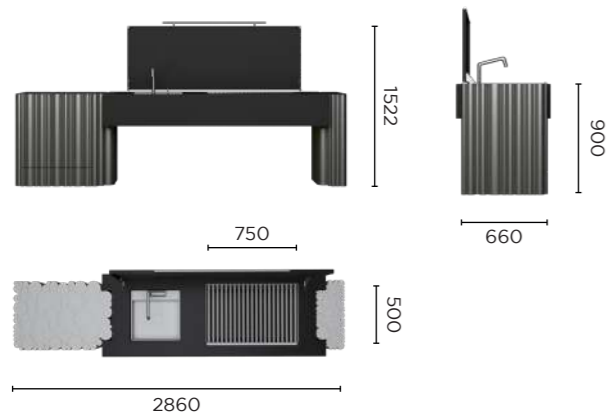
Combustion Zone Firewood





TECHNICAL DATA

Dimensions 2860 w x 660 d x 1522 h mm
112.9 w x 26 d x 59.9" h
Weight 400-500 kg | 881.8-1102.3 lbs
Combustion Zone Firewood | Gas | Oven



ALBA GRILL

ALBA GRILL



TECHNICAL DATA

Dimensions 890 Ø x 1030 h mm | 35 Ø x 40.6" h

Grill 390 Ø mm | 15.4" Ø

Weight 130 kg | 286.6 lbs

Burner Stainless steel

Combustion Zone Firewood





TECHNICAL DATA

Dimensions 815 Ø x 2067 h mm | 32.1 Ø x 81.4" h

Grill 662 Ø mm | 26.1 Ø"

Weight 354 kg | 780.4 lbs

Combustion Zone Firewood



HYPERION

HYPERION



TECHNICAL DATA

Dimensions 700 Ø x 2150 h mm | 27.6 Ø x 84.6" h

Weight 74-90 kg | 163-198.4 lbs

Power Max. 12 kW

Fuel Propane gas / Butane gas

Consumption Propane - Max. 820 g/h |
Butane - Max. 870 g/h



TECHNICAL DATA

Dimensions 550 Ø x 1625 h mm | 21.7 Ø x 64" h

Weight 65 kg | 143.3 lbs

Power Max. 7 kW

Fuel Propane gas / Butane gas

Consumption Propane - Max. 550 g/h |

Butane - Max. 570 g/h



ROUND

GAS COMBUSTION ZONE

ROUND GAS COMBUSTION ZONE



TECHNICAL DATA

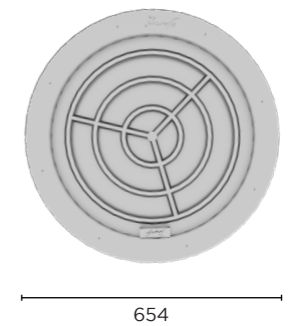
Dimensions 654 Ø x 276 h mm | 25.7 Ø x 10.9" h

Weight 29,4 kg | 64 lbs

Combustion Zone Gas

Fuel Propane gas | Butane gas | Natural gas

Power 5-20 kW





TECHNICAL DATA

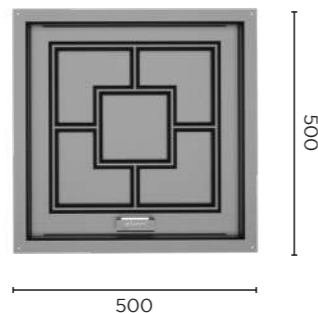
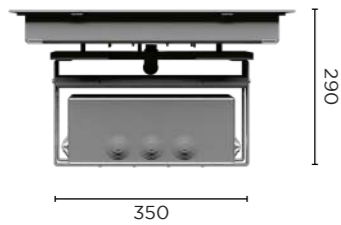
Dimensions 500 w x 500 d x 290 h mm |
19.7 w x 19.7 d x 11.4" h

Weight 21,4 kg | 47 lbs

Combustion Zone Gas

Fuel Propane gas | Butane gas | Natural gas

Power 12-28,8 kW



RECTANGULAR

GAS COMBUSTION ZONE

RECTANGULAR GAS COMBUSTION ZONE



TECHNICAL DATA

Dimensions 1000-3000 w x 300 d x 310 h mm |

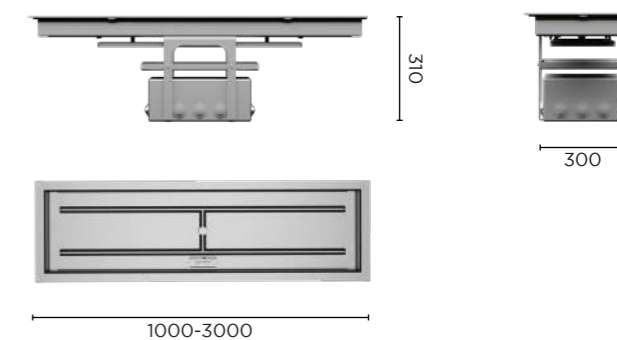
39.4-118.1 w x 11.8 d x 12.2" h

Weight 35 - 90 kg | 77.2-198.4 lbs

Combustion Zone Gas

Fuel Propane gas | Butane gas | Natural gas

Power 19-57,6 kW



glamm[®]
fire